

# SPECIFICATION SUBMITTAL

Project: \_\_\_\_\_  
 Architect/Engineer: \_\_\_\_\_  
 Builder/Developer: \_\_\_\_\_  
 Plumbing Contractor: \_\_\_\_\_

# 4ALL<sup>®</sup> BOX

WASHING MACHINE



For PEX, Copper and CPVC Pipe

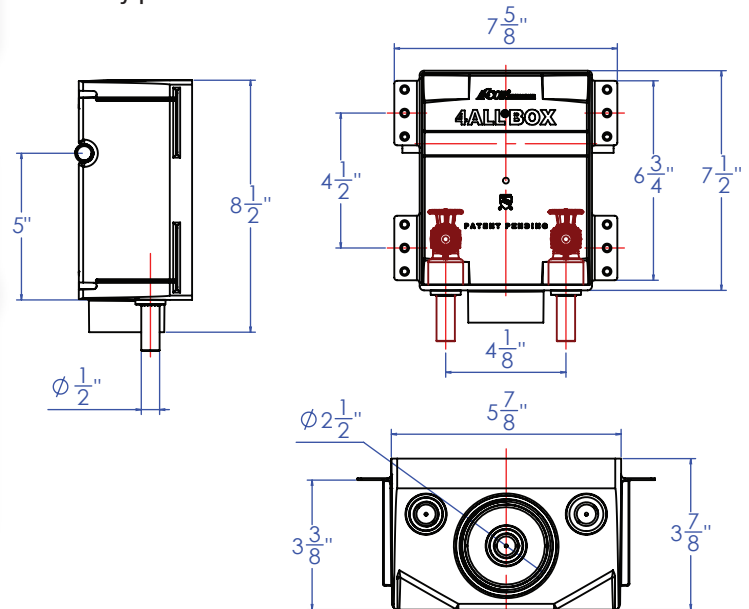
## 4ALL<sup>®</sup> Washing Machine Outlet Box with FlowTite<sup>®</sup> 4ALL<sup>®</sup> Valves



### Specification:

The ONLY box preventing hidden in-wall leaks with valve-to-pipe connections fully sealed within the box and secondary O-rings to seal box to pipe.

All models include two (2) USA made FlowTite 4ALL 3/4" outlet stop valves that carry a 10-year warranty, front & back support tabs for sturdy stud mount, a unique pipe supported design for center mount between studs and a versatile design for dual stud bay mount with separate drainage. All models also include a sturdy protective cover.



### Listings:

NSF/ANSI 61  
 IAPMO File 2657 (cUPC/IPC, NPC)  
 IAPMO File 6518 (Lead Free)  
 IAPMO File 3893 (UPC/IPC)

### Manufactured in accordance with:

NSF/ANSI 61 Section 9  
 ASME A112.18.1/CSA B125.1  
 Section 1417(d) SDWA – NSF/ANSI 372 Low Lead  
 IAPMO PS 54-2015

### Dimensions:

Box rough-in width – 5" 7/8 (5.876)  
 Box rough-in height – 7" 1/2 (7.49)  
 Box depth – 3" 7/8 (3.863)  
 Drain connection – 2"  
 Pilot Holes - on center  
 Bullseye condensation tear-out – 3/8"-1"  
 Sheet rock – up to 1"  
 Faceplate width – 7" 3/4 (7.704)  
 Faceplate height – 9" 1/4 (9.183)

### Model Number:

- |  |   |
|--|---|
| <input type="checkbox"/> OWBP05-75-1B (T)  | Single Drain Outlet Box, Copper, Bottom     |
| <input type="checkbox"/> VWBP05-75-1B (T)  | Single Drain Outlet Box, CPVC, Bottom       |
| <input type="checkbox"/> PWBP05-75-1B (WT) | Single Drain Outlet Box, Uponor PEX, Bottom |
| <input type="checkbox"/> OWBP05-75-1T (T)  | Single Drain Outlet Box, Copper, Top        |
| <input type="checkbox"/> VWBP05-75-1T (T)  | Single Drain Outlet Box, CPVC, Top          |
| <input type="checkbox"/> PWBP05-75-1T (WT) | Single Drain Outlet Box, Uponor PEX, Top    |
| <input type="checkbox"/> 4ALL Box Only (1) | Box Only with Faceplate                     |

### Description: